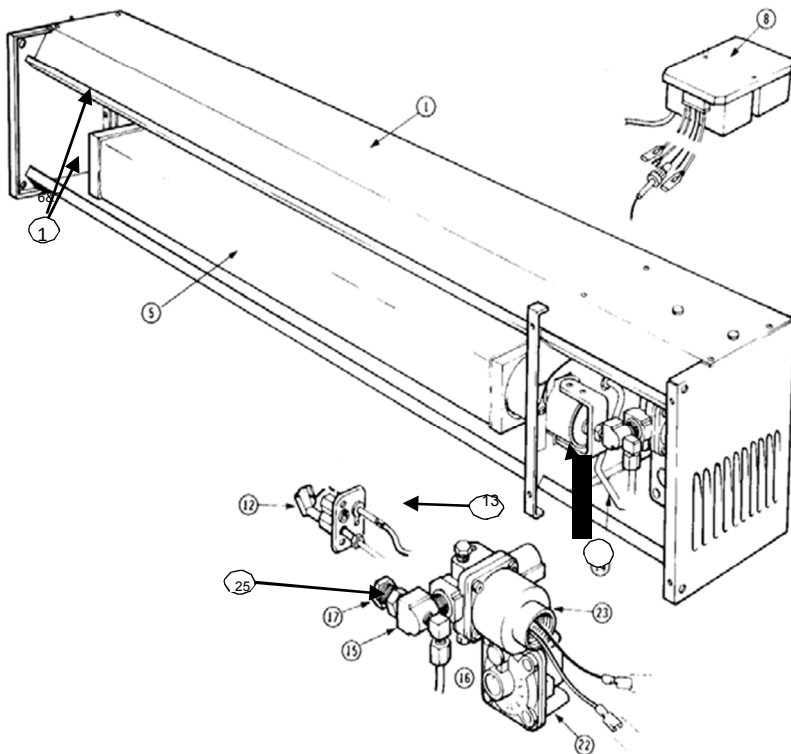


manufactured by
Infrared
Dynamics
parts list



#	PART #	DESCRIPTION	\$ PRICE
1	22002	CASING GLOSSY BLACK	387
1	22002 4	CASING S/S	465
2	32031	REAR DOOR CASING BLACK	24
2	32031 4	REAR DOOR CASING S/S	40
5	22004 1	S25 BURNER	399
5	22004 2	S34 BURNER	489
6	70037	SCREW 8-32 X 3/4 SS - burner	1/4
7	70038	NUT, 8-32 HEX SS - burner	1/4
8	DS1142E	IGNITION MODULE SYNTEK (residential grade)	199
8	12014 24	IGNITION MODULE CHANNEL CONTROLS (commercial grade)	278
9	70035	SCREW 8-32 X 1/2 SSST	1/4
10	22006	DOOR ASSEMBLY BLACK (incl. latch)	32
10	22006 4	DOOR ASSEMBLY S/S (incl. latch)	32
11	71021	DOOR LATCH ASSEMBLY	9
12	22024	PILOT ELECTRODE ASSEMBLY (with gasket, compression nut & ferrule)	82
13	50011	PILOT GASKET	3
15	80027	ELBOW 1/4 TUBE 1/8MPT	9
16	22021 1	REGULATOR - VALVE ASSEMBLY- contains 15,17,22,23;25 (specify S25 / S34 & natural / LP gas)	370
17	80032	LOCKNUT	2
18	22009	TOP CASING BLACK	138
18	22009 4	TOP CASING S/S	161
20	22010	GRILL ASSY	119
20	22010-2	GRILL ASSY, REINFORCED	138
22	90056	NG/LP REGULATOR	69
23	90054	SOLENOID VALVE 24V	192
24	90009 1	1/2" GAS VALVE	28
25	35001 44	ORIFICE S25 NAT	4
25	35001 39	ORIFICE S34 NAT	4
25	35001 53	ORIFICE S25 LP	4
25	35001 50	ORIFICE S34 LP	4
31	32043	BAR CHANNEL BLACK (each)	16
31	32043 2	BAR CHANNEL S/S (each)	54
32	70007	BOLT 3/8-16 X 5/8 SS	2
33	70013	WASHER 3/8 LOCK SS	1/2
34	70059	NUT 3/8 SS	1
35	32041	"S" BRACKET BLACK (each)	12
35	32041 2	"S" BRACKET SS (each)	24
36	70061	SCREW 1/4-20 X 1/2 SS	1/2
37	71023	NUT 1/4- 20 SS	0.5
38	32042	"L" BRACKET BLACK	14
38	32042 2	"L" BRACKET SS	28
39	70060	BOLT 1/4 X 1-1/4 SS LAG	1
39	70060-2	BOLT 1/4 X 2 SS LAG	2
39	70060-3	BOLT 1/4 X 3 SS LAG	3
40	12006	Black Mounting Kit (includes items # 31 - 39 w 1/4" lags)	100
40	12006-S	SS Mounting Kit (includes items # 31 - 39 w 1/4" lags)	200
41	32047	INSULATION FOR CONTROL BOX (TWO HALVES)	20
•	70026	SCREW #8 X 1/2 SS	1/2
•			