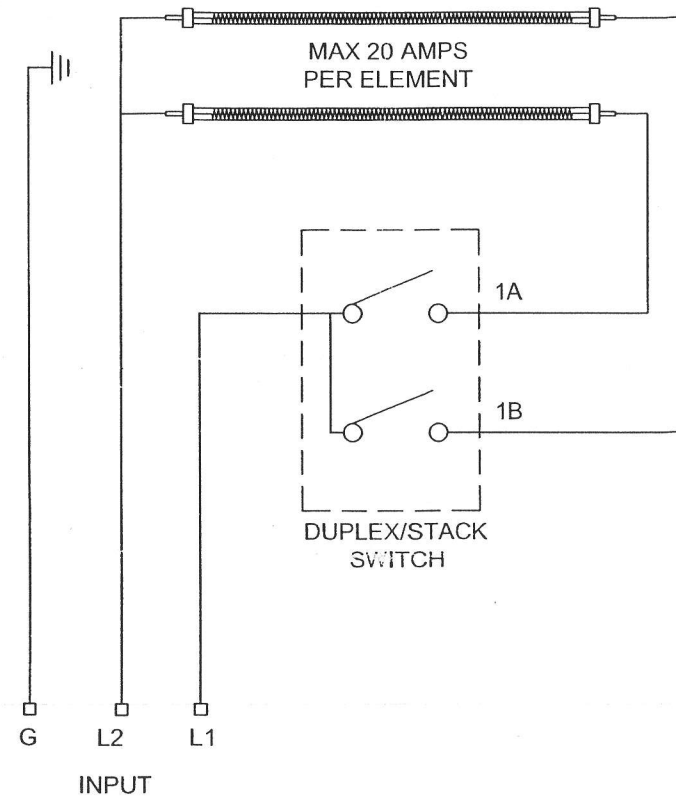
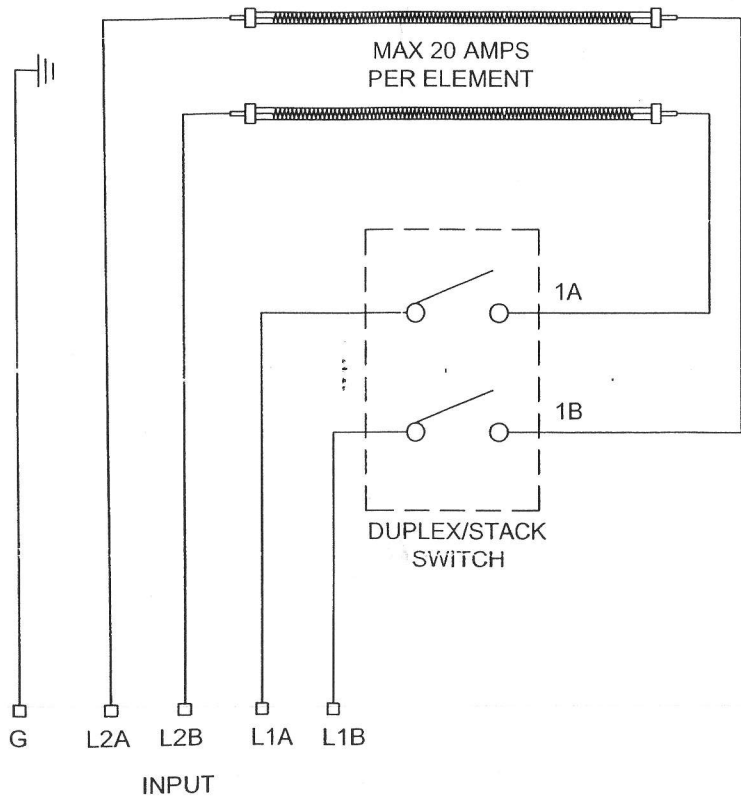


5 WIRE APPLICATION

3 WIRE APPLICATION

CONNECTIONS
TO BE MADE
IN J-BOX

CONNECTIONS
TO BE MADE
IN J-BOX



NOTE: Replace L2 with Neutral for 120 & 277 VAC Applications.



Duplex/Stack Switch
Two Single Pole Single Throw (DPST) Switches
Range:120/277 VAC
Recommended not to Exceed
120 VAC = 1800 Watts Max-Per Switch
208/220 VAC = 3000 Watts Max-Per Switch
240/277 VAC = 4000 Watts Max-Per Switch
20 Amps Max-Per Pole

15611 New Century Drive Gardena, California 90248 Phone: (310) 354-1250 Fax: (310) 523-3674	
INFRA TECH WWW.INFRATECH-USA.COM	
DESCRIPTION	
DUPLEX/STACK SWITCH WIRING 120/277 VAC 20 AMP PER SWITCH	
DATE	ITEM#
Apr. 22, 2009	N/A
	DRAWN BY:
	MD